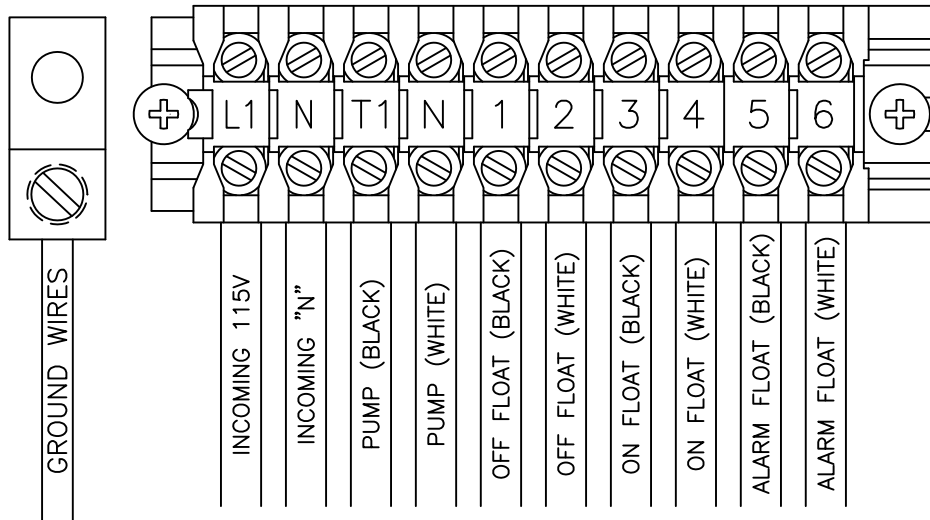


CONNECTION DIAGRAM

REQUIRED TORQUE FOR TERMINAL BLOCK SCREWS IS 16 in-lbs.



ALL INFORMATION CONTAINED IN THIS DRAWING IS CONFIDENTIAL AND PROPRIETARY TO SEPTIC PRODUCTS INC.



Septic Products Inc.

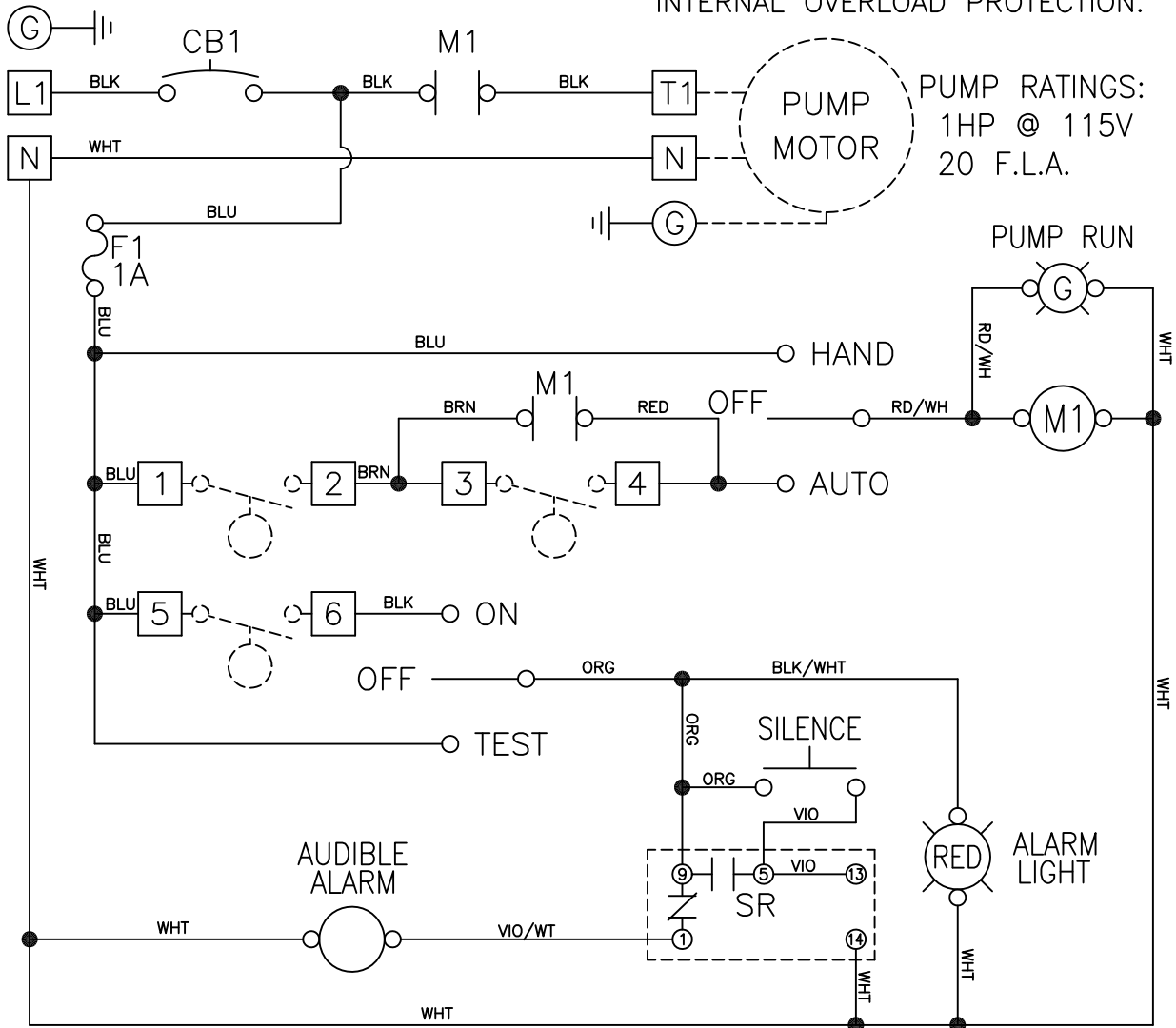
CHANGES	TOLERANCES	DRAWN BY	DATE
F	DECIMALS .XXX = ±.005 .XX = ±.010 FRACTIONAL X/X = ±.1/64 ANGLES X' = ±1/2"	C. BARRICK	05/27/09
E		MATERIAL SPECIFICATION: AS NOTED	
D			
C			
B			
A			

115V SIMPLEX TERMINAL CONNECTIONS	
SCALE:	PART NO.
FULL	50A001

POWER CIRCUIT
115V - 1PH

NOTE: PUMP MOTOR MUST HAVE
INTERNAL OVERLOAD PROTECTION.

PUMP RATINGS:
1HP @ 115V
20 F.L.A.



NOTES: FLOAT SWITCH TO BE RATED 2 AMP AT 120V MINIMUM.
MAIN PANEL DISCONNECT MUST BE PROVIDED BY INSTALLER.
DASHED LINES INDICATE ITEMS NOT CONTAINED IN THE PANEL.
FIELD WIRING MUST BE A MINIMUM OF 60°C COPPER WIRE.
REQUIRED TORQUE FOR TERMINAL BLOCK SCREWS IS 16 in-lbs.



ALL INFORMATION CONTAINED IN THIS DRAWING IS
CONFIDENTIAL AND PROPRIETARY TO SEPTIC PRODUCTS INC.

CHANGES	TOLERANCES	DRAWN BY	DATE	115V SIMPLEX SCHEMATIC	
F	DECIMALS .XXX = ±.005 .XX = ±.010 FRACTIONAL X/X = ±.1/64 ANGLES X° = ±1/2°	D. MIDDLETON	03/22/05	SCALE: PART NO.	
E					
D		MATERIAL SPECIFICATION: AS NOTED		FULL	50A001
C					
B					
A					