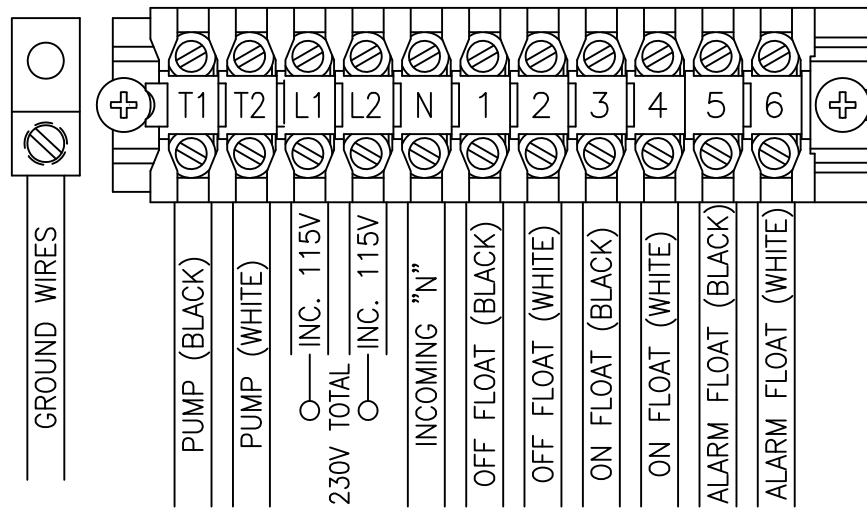


# CONNECTION DIAGRAM

REQUIRED TORQUE FOR TERMINAL BLOCK SCREWS IS 16 in-lbs.



ALL INFORMATION CONTAINED IN THIS DRAWING IS  
CONFIDENTIAL AND PROPRIETARY TO SEPTIC PRODUCTS INC.



Septic Products Inc.

CHANGES	TOLERANCES	DRAWN BY	DATE
F	DECIMALS .xxx = ±.005 .xx = ±.010 FRACTIONAL x/x = ±.1/64 ANGLES x' = ±1/2"	C. BARRICK	05/28/09
E		MATERIAL SPECIFICATION:  AS NOTED	
D			
C			
B			
A			

230V SIMPLEX TERMINAL CONNECTIONS	
SCALE:	PART NO.
FULL	50A002

POWER CIRCUIT  
230V – 1PH

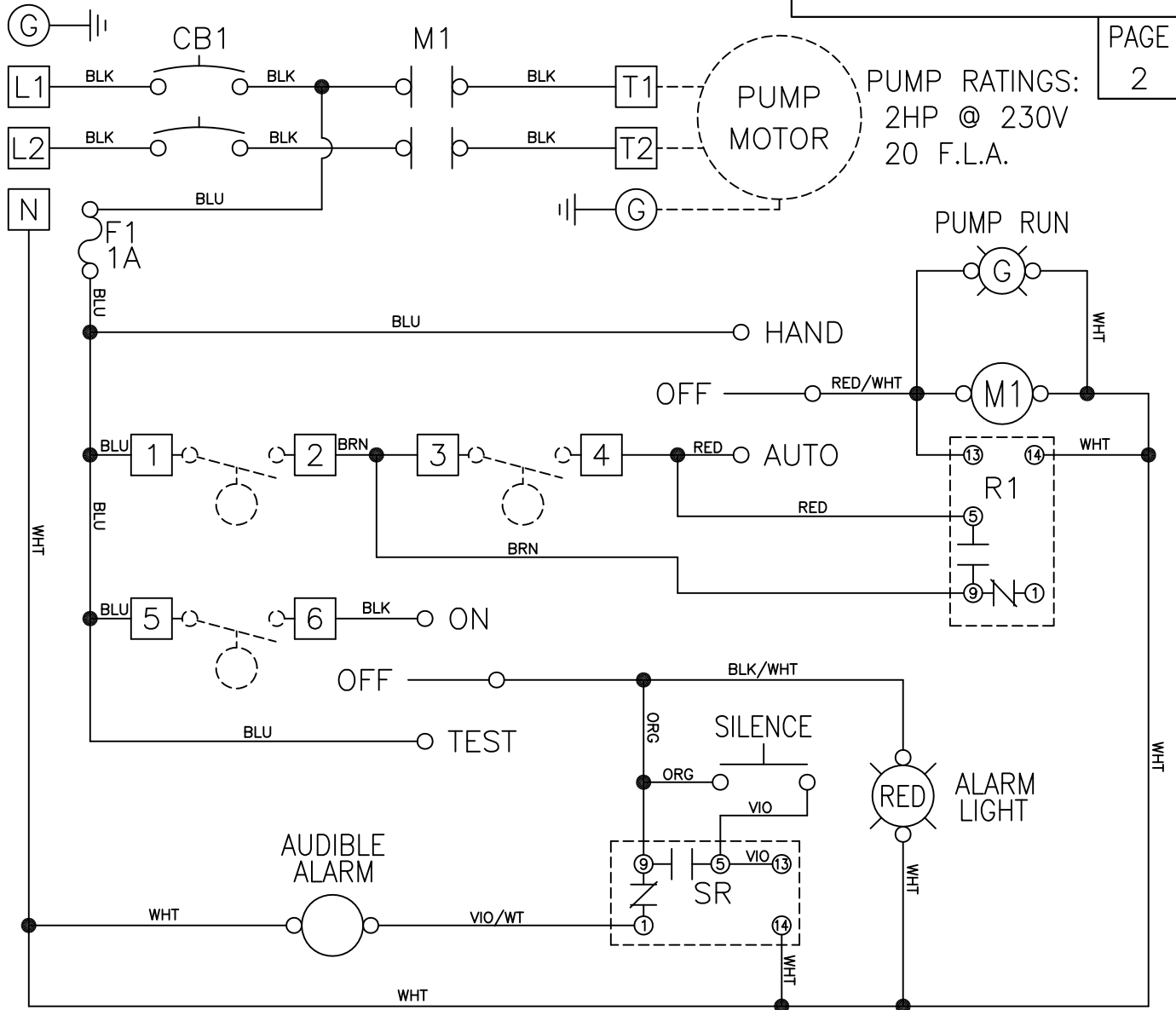
NOTE :PUMP MOTOR MUST HAVE  
INTERNAL OVERLOAD PROTECTION.

MODEL NO.

SSC2B

PAGE  
2

PUMP RATINGS:  
2HP @ 230V  
20 F.L.A.



NOTES: FLOAT SWITCH TO BE RATED 2 AMP AT 120V MINIMUM.  
MAIN PANEL DISCONNECT MUST BE PROVIDED BY INSTALLER.  
DASHED LINES INDICATE ITEMS NOT CONTAIN IN THE PANEL.  
REQUIRED TORQUE FOR TERMINAL BLOCK SCREWS IS 16 in-lbs.  
FIELD WIRING MUST BE A MINIMUM OF 60°C COPPER WIRE.



Septic Products Inc.

ALL INFORMATION CONTAINED IN THIS DRAWING IS  
CONFIDENTIAL AND PROPRIETARY TO SEPTIC PRODUCTS INC.

CHANGES	TOLERANCES	DRAWN BY	DATE	SCHEMATIC, ELECTRICAL	
F	DECIMALS .XXX = ±.005 .XX = ±.010 FRACTIONAL X/X = ±.1/64 ANGLES X° = ±1/2°	D. MIDDLETON	02/20/04	50A002 (230V,SIMPLEX)	
E				SCALE: PART NO.	
D		MATERIAL SPECIFICATION:		FULL	50A002
C		AS NOTED			
B					
A					