

TIGHTENING TORQUE FOR TERMINAL BLOCK IS 9 in-lbs.

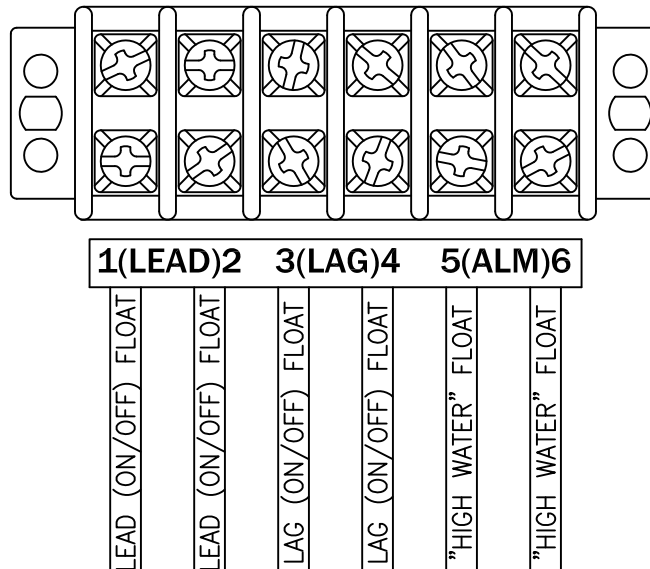
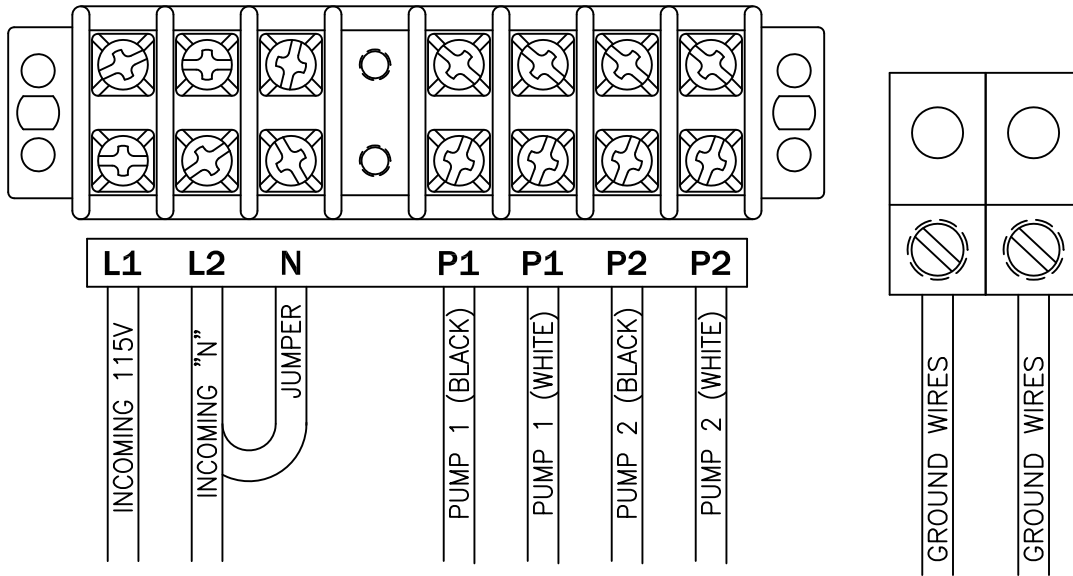
MODEL NO.

SDC12BB

PAGE

1

USE THIS PAGE FOR 115V PUMPS



ALL INFORMATION CONTAINED IN THIS DRAWING IS CONFIDENTIAL AND PROPRIETARY TO SEPTIC PRODUCTS INC.



Wastewater Technologies

CHANGES		TOLERANCES		DRAWN BY		DATE		POWER CONNECTION DUPLEX(BASIC)	
F		DECIMALS .xxx = ±.005 .xx = ±.010		D. MIDDLETON		11/14/06			
E		FRACTIONAL x/x = ±.1/64		MATERIAL SPECIFICATION: AS NOTED				SCALE: PART NO.	
D		ANGLES x' = ±1/2'						FULL	
C									
B									
A									

TIGHTENING TORQUE FOR TERMINAL BLOCK IS 9 in-lbs.

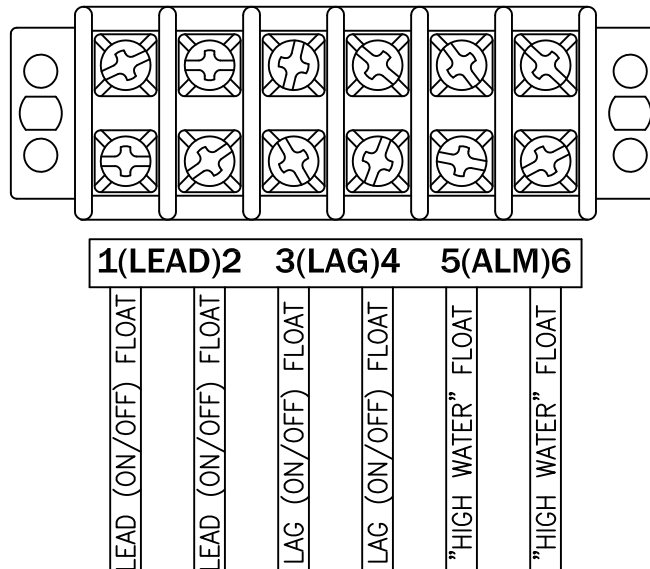
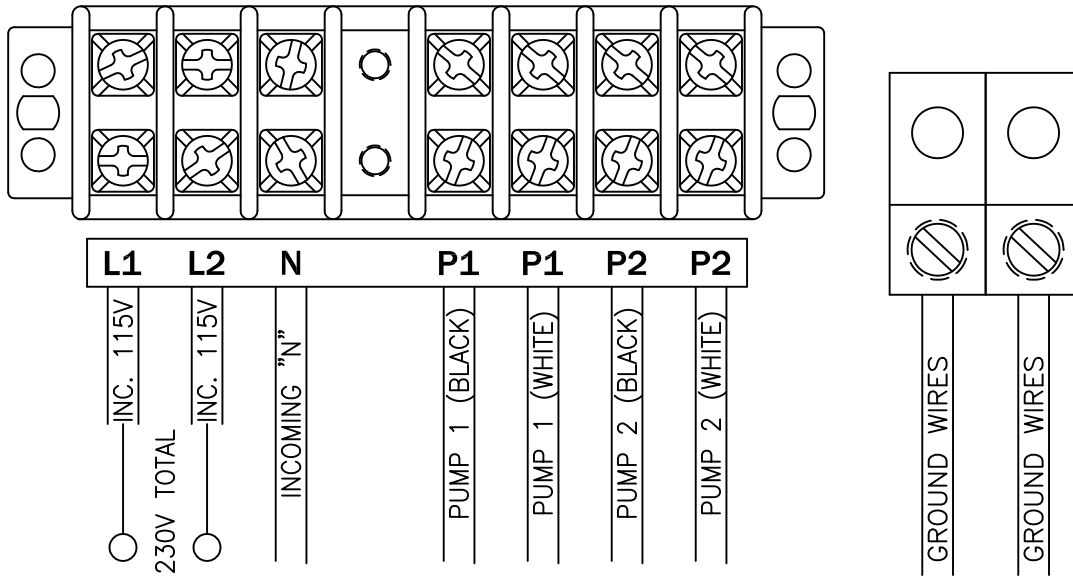
MODEL NO.

SDC12BB

PAGE

2

USE THIS PAGE FOR 230V PUMPS



ALL INFORMATION CONTAINED IN THIS DRAWING IS CONFIDENTIAL AND PROPRIETARY TO SEPTIC PRODUCTS INC.

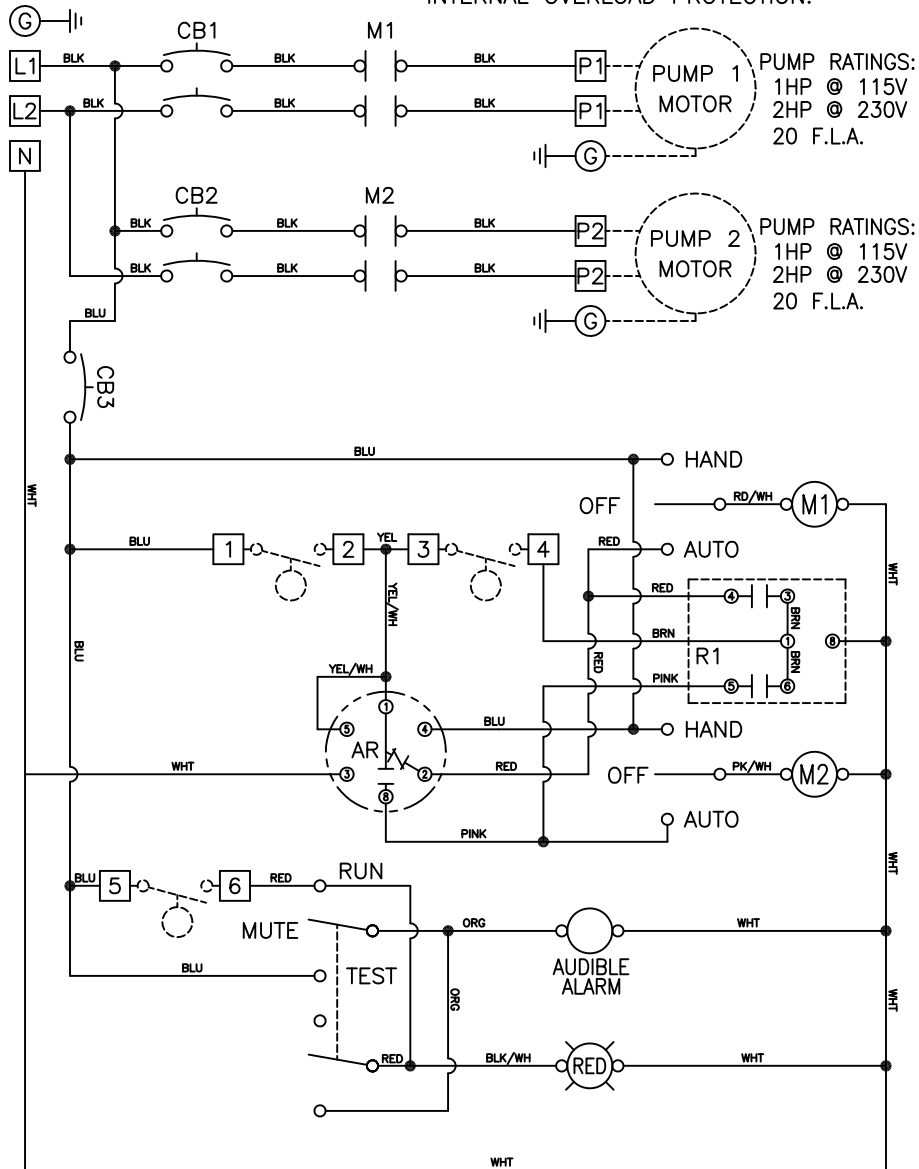


Wastewater Technologies

CHANGES		TOLERANCES		DRAWN BY		DATE		POWER CONNECTION DUPLEX(BASIC)	
F		DECIMALS .xxx = ±.005 .xx = ±.010		D. MIDDLETON		11/14/06			
E		FRACTIONAL x/x = ±.1/64		MATERIAL SPECIFICATION: AS NOTED				SCALE: PART NO.	
D		ANGLES x' = ±1/2'						FULL	
C									
B									
A									

POWER CIRCUIT
115/230V - 1PH

NOTE: PUMP MOTORS MUST HAVE
INTERNAL OVERLOAD PROTECTION.



NOTES: MAIN PANEL DISCONNECT MUST BE PROVIDED BY INSTALLER.
DASHED LINES INDICATE ITEMS NOT CONTAINED IN THE PANEL.
REQUIRED TORQUE FOR TERMINAL BLOCK SCREWS IS 9 in-lbs.
FIELD WIRING MUST BE A MINIMUM OF 60°C COPPER WIRE.

ALL INFORMATION CONTAINED IN THIS DRAWING
IS CONFIDENTIAL AND
PROPRIETARY TO SEPTIC PRODUCTS INC.



CHANGES	TOLERANCES	DRAWN BY	DATE
F	DECIMALS	D. MIDDLETON	11/14/06
E	.xxx = ±.005	MATERIAL SPECIFICATION: AS NOTED	
D	.xx = ±.010		
C	FRACTIONAL		
B	x/x = ±.1/64		
A	ANGLES x° = ±1/2°		

SCHEMATIC, ELECTRICAL
DUPLEX (BASIC)

SCALE: PART NO.
FULL 50A506B