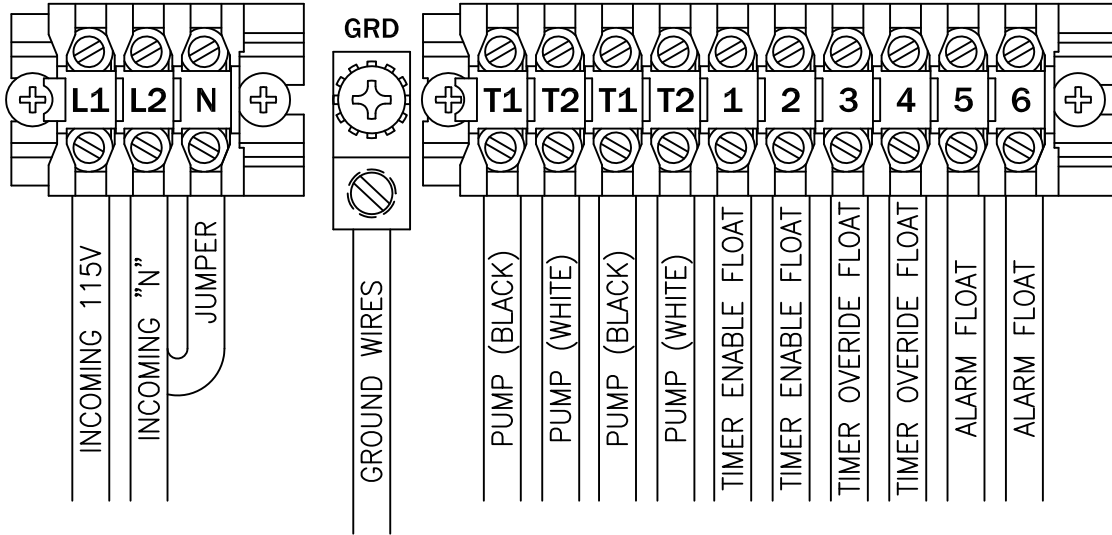


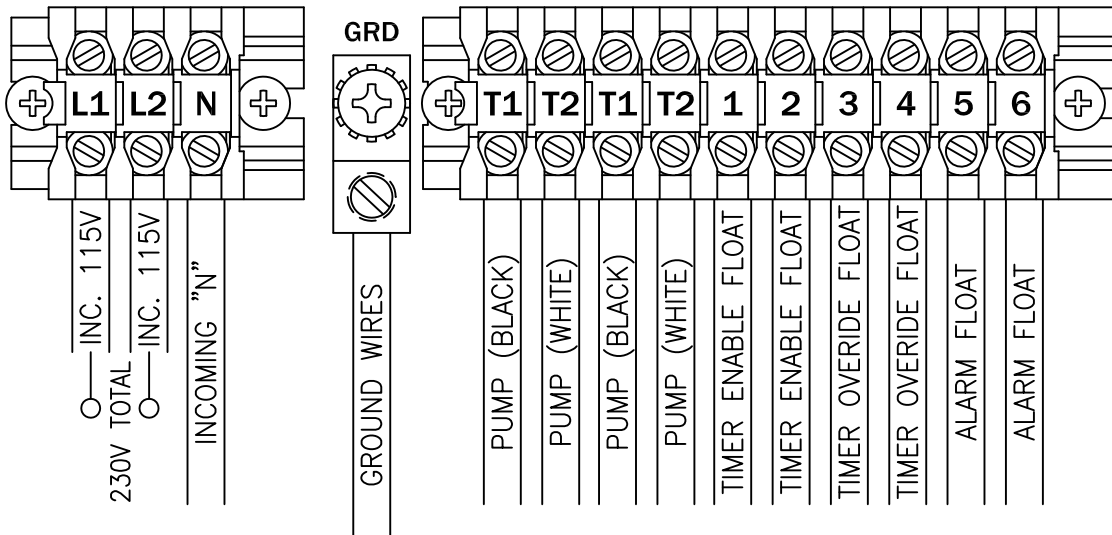
CONNECTION DIAGRAM

REQUIRED TORQUE FOR TERMINAL BLOCK SCREWS IS 16 in-lbs.

FOR 115V PUMPS



FOR 230V PUMPS



ALL INFORMATION CONTAINED IN THIS DRAWING IS
CONFIDENTIAL AND PROPRIETARY TO SEPTIC PRODUCTS INC.



Septic Products Inc.

CHANGES	TOLERANCES	DRAWN BY	DATE	SCHEMATIC, ELECTRICAL (115/230V) TIME DOSE	
F	DECIMALS .xxx = ±.005 .xx = ±.010 FRACTIONAL x/x = ±.1/64 ANGLES x° = ±1/2°	C. BARRICK	05/28/09	SCALE:	PART NO.
E		MATERIAL SPECIFICATION: AS NOTED		FULL	50A810
D					
C					
B					
A					

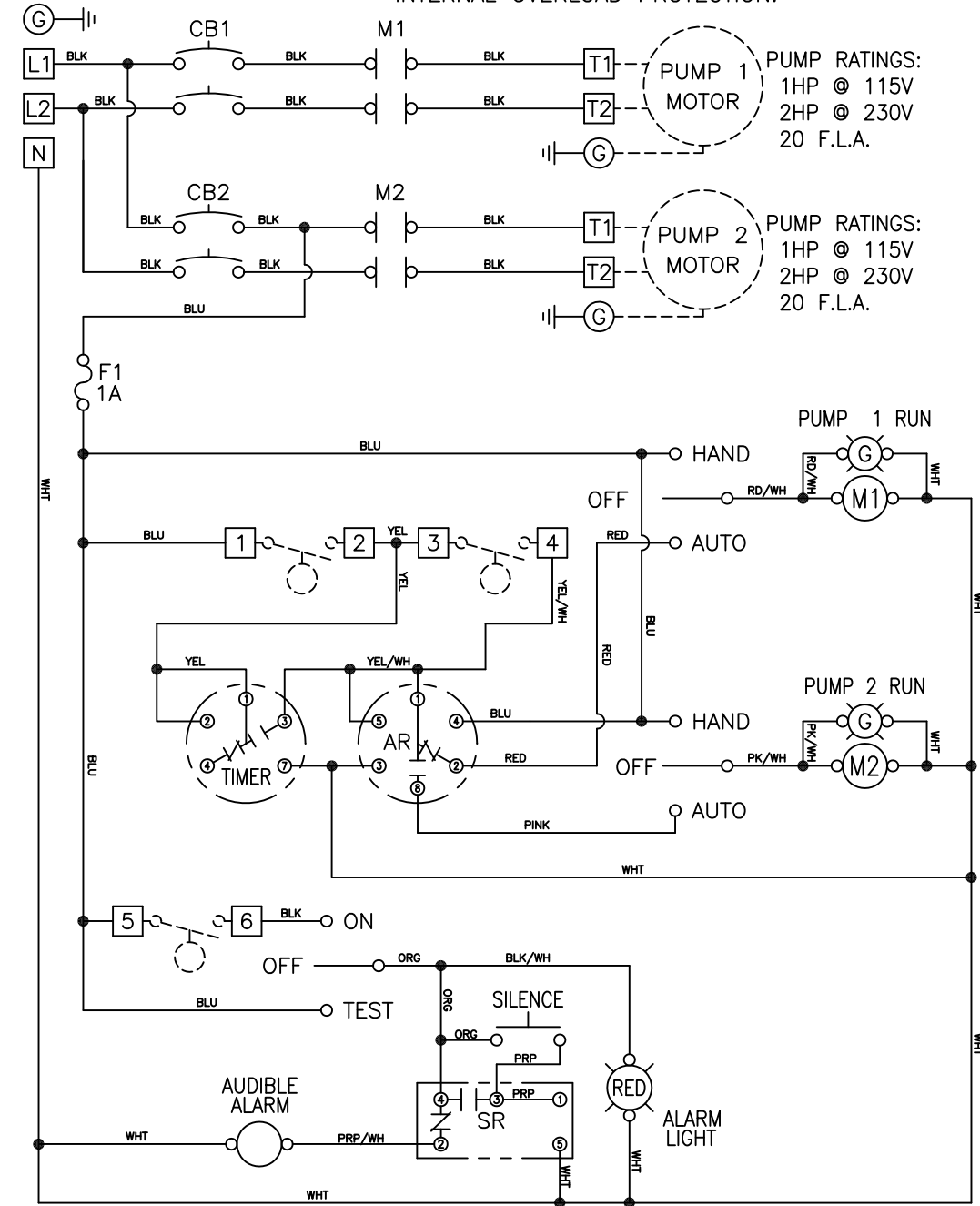
POWER CIRCUIT
115/230V - 1PH

NOTE: PUMP MOTORS MUST HAVE
INTERNAL OVERLOAD PROTECTION.

MODEL NO.

SSTDD128

PAGE
2



NOTES: MAIN PANEL DISCONNECT MUST BE PROVIDED BY INSTALLER.
DASHED LINES INDICATE ITEMS NOT CONTAINED IN THE PANEL.
REQUIRED TORQUE FOR TERMINAL BLOCK SCREWS IS 16 in-lbs.
FIELD WIRING MUST BE A MINIMUM OF 60°C COPPER WIRE.

ALL INFORMATION CONTAINED IN THIS DRAWING
IS CONFIDENTIAL AND
PROPRIETARY TO SEPTIC PRODUCTS INC.



CHANGES	TOLERANCES	DRAWN BY	DATE
F	DECIMALS .XXX = ±.005	D. MIDDLETON	08/16/04
E	.XX = ±.010	MATERIAL SPECIFICATION: AS NOTED	
D	FRACTIONAL X/X = ±1/64		
C	ANGLES X° = ±1/2°		
A			

SCHEMATIC, ELECTRICAL
(115/230V) TIME DOSE

SCALE: PART NO.
FULL 50A810