

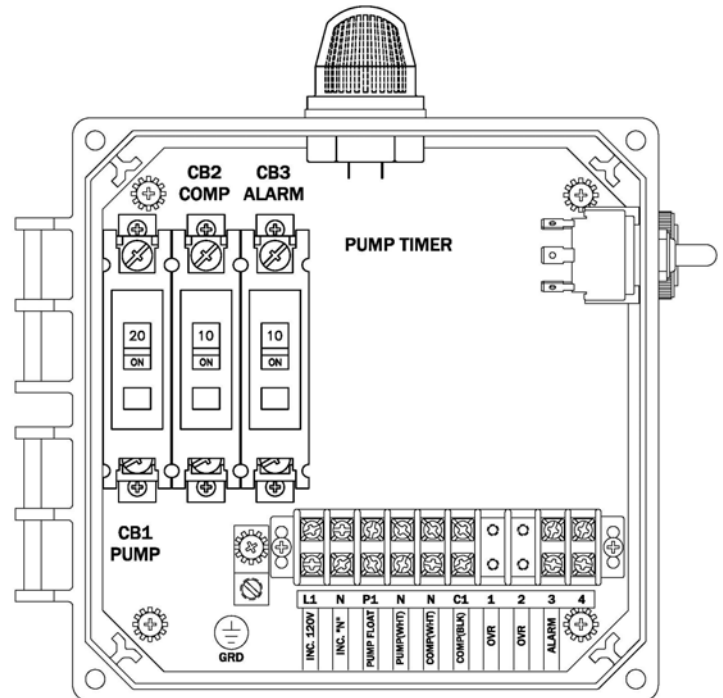


CONTROL PANEL

“D” Model Aerobic Control Panel

Features & Benefits

- Circuit Breakers for Pump, Compressor & Alarm Circuits
- Large & Easy to Access Terminal Block
- Externally Mounted Run/Mute/Test Switch w/UV resistant sealing boot
- Externally Mounted Audible Alarm
- Rugged UV resistant Externally Mounted Alarm Light
- Durable Weather Resistant Hinged Poly Enclosure
- Silk Screen Back Panel
- Ground Lug
- Easily Replaceable Components
- Nema 4x Rating
- Color Coded Internal Wiring
- Built and Labeled to UL 508A Standard
- Works with most Aerobic Treatment Systems
- Provided with Wiring Schematic and Detailed Connection Diagram for Installer
- Mounting Feet for Enclosure



(50B007-BIO-D Shown)

Available Options

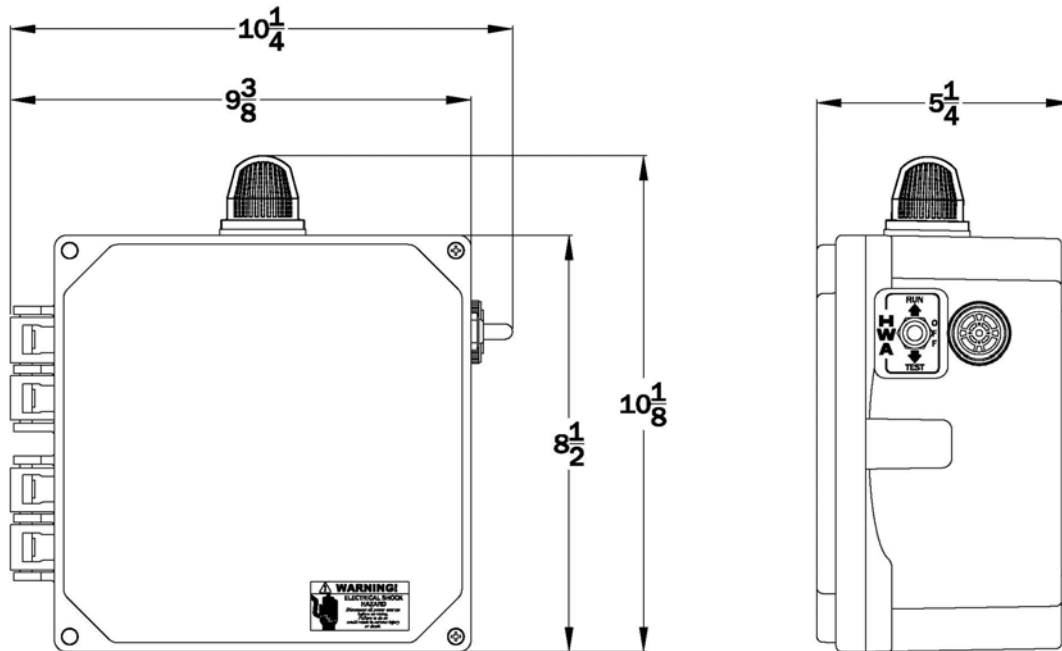
- Externally Mounted Pump Test Switch
- Externally Mounted Air Pressure Switch
- Auto-Dialer
- Locking Stainless Steel Latch
- 24 Hr Timer (See 50B003-BIO-C)
- Mercury or Mechanical Float Switches for the Pump and High Water Alarm Circuits



Note: Consult the factory for other available options. Also some options may require an increase in the enclosure size.

“D” Model Aerobic Control Panel

Panel Dimensions



Wiring Schematic

