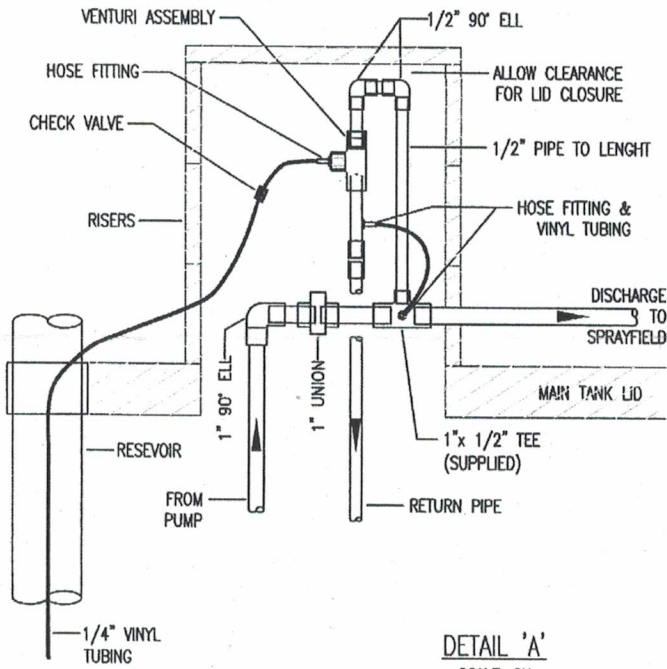
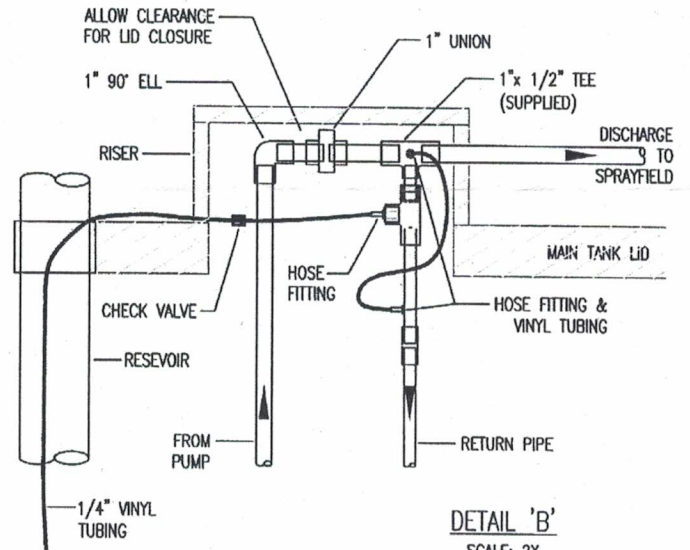


DEEP TANK INSTALLATION SCHEMATIC

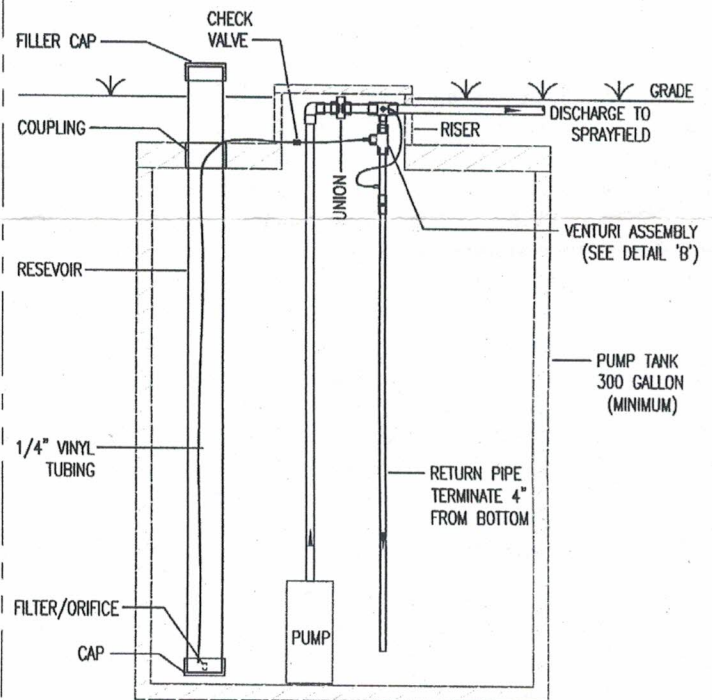
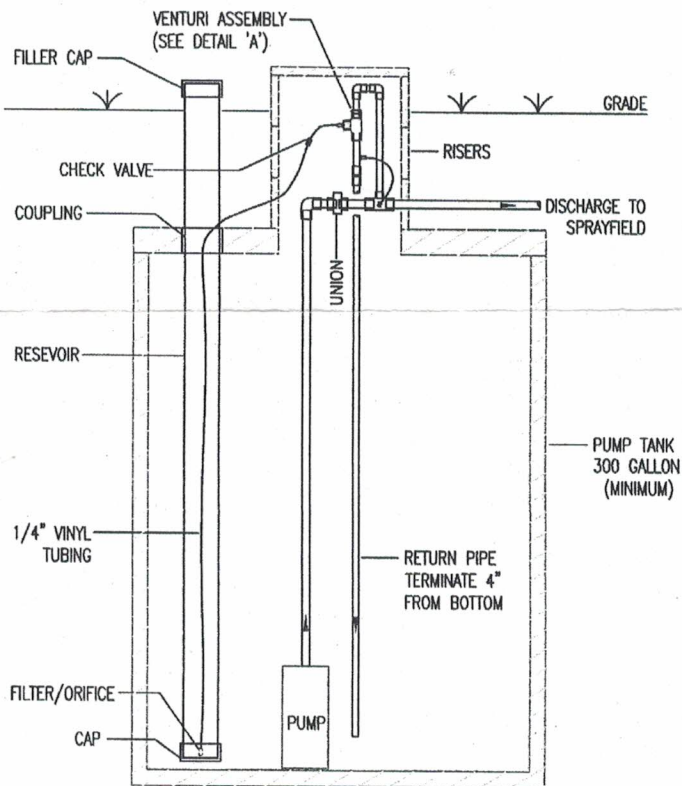


DETAIL 'A'
SCALE: 2X

TYPICAL INSTALLATION SCHEMATIC



DETAIL 'B'
SCALE: 2X



CHLORINATION STATION