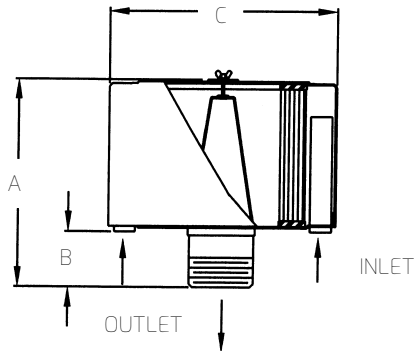


FPZ inlet filters are used for pressure applications. The inlet filters combine filtration and sound attenuation into a compact package. Inlet filters consist of a filter cartridge enclosed by a carbon steel weather hood. Elements are easily serviceable by simply removing the weather hood.



Dimension tolerance $\pm 1/8"$

FEATURES & SPECIFICATIONS

- Polyester: 99%+ removal efficiency standard to 5 micron
- Fully drawn weather hood - no welds to rust or vibrate apart
- Tubular silencing design - tube is positioned to maximize attenuation and air flow while minimizing pressure drop
- Durable carbon steel construction with baked enamel finish and powder coated weather hood
- Interchangeable elements: Polyester, Paper
- Low pressure drop center bracket and outlet pipe design
- Filter change out differential: 10"-15" H₂O Over Initial Delta P

OPTIONS (Inquiries Encouraged)

- Various media available
- 1/8" & 1/4" tap holes
- Pressure Drop Indicator
- Available in Stainless Steel
- Epoxy coated housings
- Hot dipped galvanized housings
- Special connections, NPT

Polyester Element	NPT	Dimensions (Inches)			Used on Models	Approx Wt. Lbs
		A	B	C		
FS-15-050	1/2"	4	1 1/2	6	10DL	2
FS-15-075	3/4"	4	1 1/2	6	15DH	2
FS-15-100	1"	4	1 1/2	6	06	2
FS-19P-125	1 1/4"	6 5/8"	1 5/8"	6	K03-MS, R20-MD	3
FS-19P-150	1 1/2"	6 5/8"	1 5/8"	6	K04-MS, K04-TD, 30DH, 40DH	4
FS-31P-200	2"	7 1/4"	2 1/4"	10	K05-MS, K05-TD	8
FS-231P-200	2"	12 1/4"	2 1/4"	10	K06-MS, K06-TD, K07R-MD, K08R-MD	14
FS-231P-300	3"	13"	3"	10"	K07-MS, K05-TS, K07-TD	15
FS-235P-300	3"	13"	3"	16"	K08-MS, K06-TS, K08-TD	29
FS-235P-400	4"	14"	4"	16"	K09-MS, K10-MS, K09-MD, K10-MD, K11-MD, K12-MD, K09-TD, K10-TD	30
FS-245P-400	4"	14"	4"	16"	K07-TS, K08-TS, K11-MS, K12-MS, K11-TD, K12TD	31
FL10*	NA	14 3/8"	1 3/8"	16 3/16"	K09-TS, K10-TS, K11-TS, K12-TS.	18

*FL 10 utilizes 15 micron paper element and does not include tubular silencers