



Post Office Box 97
Benton Harbor, Michigan
Ph: 269/926-6171
Fax: 269/925-8288

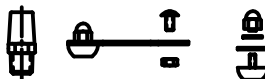
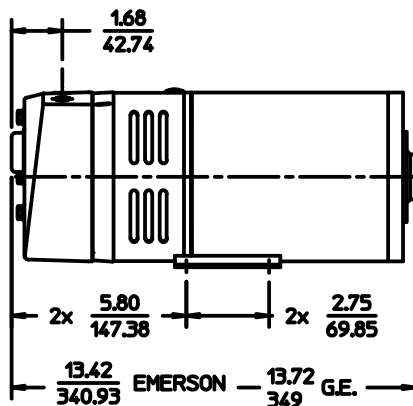
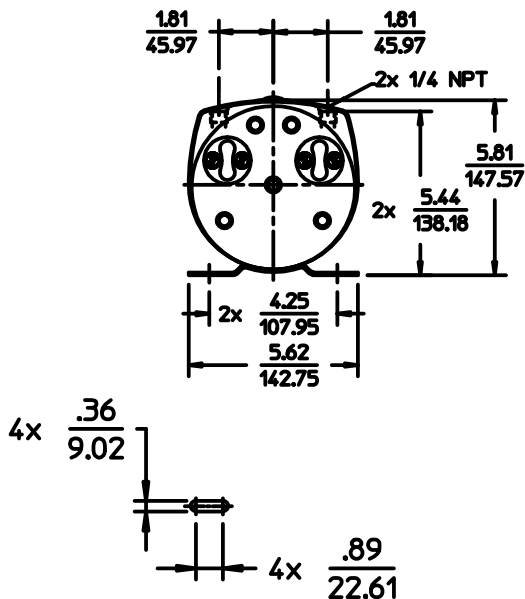
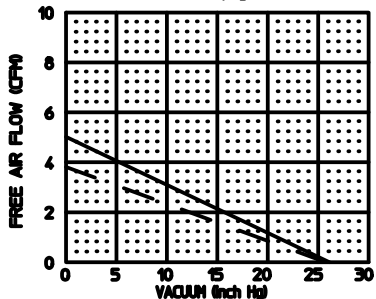
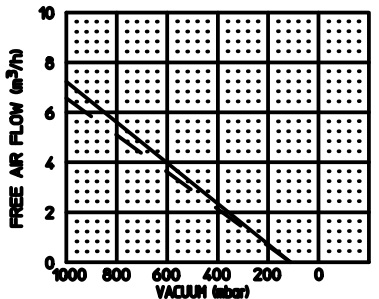
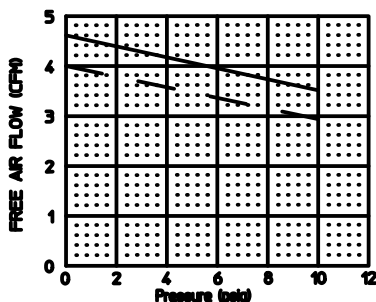
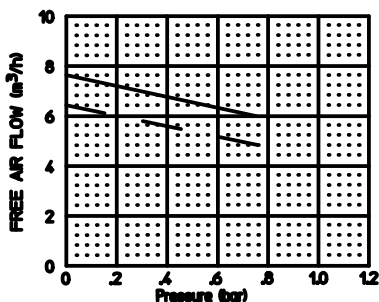
Product Specifications

PART NUMBER: STD387
REVISION: D

Model Number	Motor Voltage	RPM		HP	kW	Net Wt.		"A" DIM.	"B" DIM.
		60 cycle	50 cycle			lbs.	kg		
0523-1010-SG588DX	115/230	1725	1425	.25	0.18	30	13.6	319	N/A
0523-1030-SG588DX	115/230							1257	
0523-101B0-G588EDX	100-110/220-240								
0523-M1010-SG588DX									

SOUND LEVEL LESS THAN 70 dB(A)
NORMAL AMBIENT 1°C. - 40°C.
RELATIVE HUMIDITY 8% - 100% NON CONDENSING
ENVIRONMENT CLEAN DUST FREE

TECHNICAL DATA SUBJECT TO CHANGE WITHOUT NOTICE.
DIMENSIONS ARE FOR REFERENCE ONLY.
DASHED LINE INDICATES 50 Hz. PERFORMANCE.
SOLID LINE INDICATES 60 Hz. PERFORMANCE.



MULLER & FOOT SUPPORT SHIPPED UNATTACHED