

Product information presented here reflects conditions at time of publication. Consult factory regarding discrepancies or inconsistencies.



**PUMP COMPANY**

Zoeller Family of Water Solutions™

## TECHNICAL DATA SHEET Drain Pump Series Models 104\*, 105, 110, 115, 120, 131, 132\*

**Remove water from areas where gravity flow is not available.**

### **BASIN FEATURES**

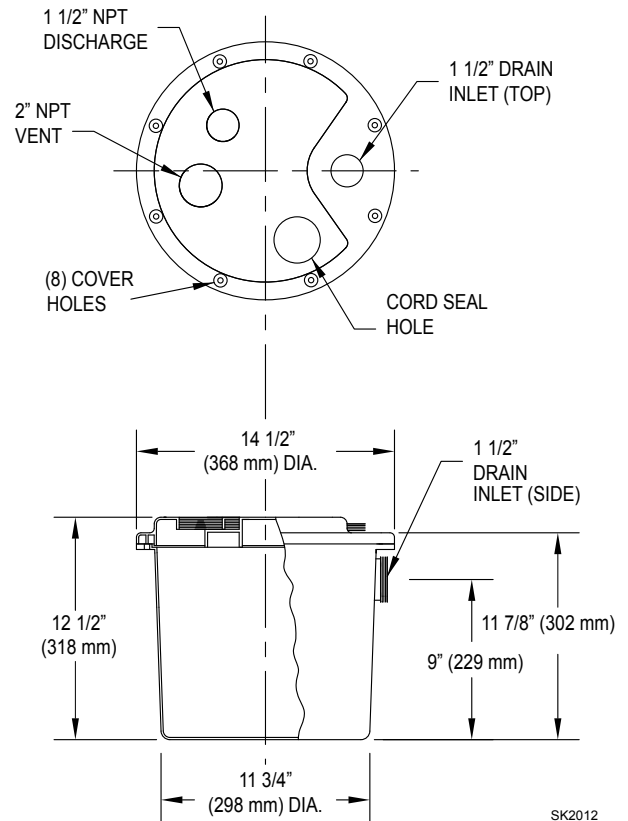
- Polypropylene construction
- 2" NPT vent
- 1-1/2" compression slip fit for top and side intake.  
NOTE: 132 comes preassembled for side inlet only.
- Basin passes the 10' (3 m) stack test (models 104 and 132 will not)
- PVC "Full Flow" check valve with 1-1/2" or 1-1/4" slip X slip union (excludes model 104).
- Threaded connections

#### **MODELS 104\*, 132\***

- 3/8" (9 mm) solids-passing capacity
- Temperature rated for 110°F (43°C)
- 1-1/2" NPT discharge
- 3400 RPM
- Oil free
- Includes 1-1/2" PVC slip union check valve
- Model 132 is preassembled
- Passes laundry lint
- 9' (2.7 mm), UL Listed, 3-wire cord and plug
- Stainless steel screws, switch arm and lower motor housing
- Non-clogging vortex impeller

#### **MODELS 105, 110, 115, 120, 131**

- 1/2" (12 mm) solids-passing capacity
- Temperature rated for 130°F (54°C)
- 1-1/2" NPT discharge
- 1550 RPM on 50 series pumps, 1725 RPM on 90 series
- M53 and M55 with glass-filled polypropylene base
- M59 all bronze construction
- M57 and M98 all cast iron construction
- Includes 1-1/4" or 1-1/2" PVC slip x slip union check valve
- Passes laundry lint
- Automatic, float operated mechanical switch
- 9' (2.7 mm), UL Listed, 3-wire cord and plug (15' [5 m] cord standard on model 98)
- Stainless steel screws, guard, handle and switch arm
- Non-clogging vortex impeller

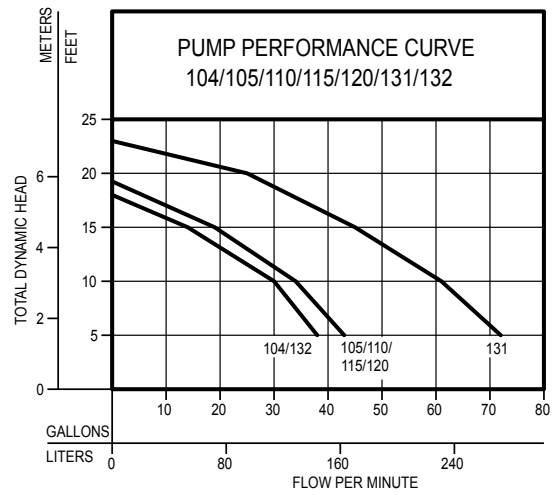


\* Models 104 & 132 are not IAPMO approved.



## TOTAL DYNAMIC HEAD FLOW PER MINUTE

MODELS		104/132		105/110 115/120		131	
Feet	Meters	Gal.	Liters	Gal.	Liters	Gal.	Liters
5	1.5	38	144	43	163	72	273
10	3.0	30	114	34	129	61	231
15	4.6	14	53	19	72	45	170
20	6.1	--	--	--	--	25	95
Shut-off Head:		18 ft. (5.5m)		19.25 ft. (5.9m)		23 ft. (7.0m)	



009898

Model	MODEL COMPARISON								
	Seal	Mode	Volts	Ph	Amps	HP	Hz	Lbs	Kg
104 (M72)	Single	Auto	115	1	3.1	1/3	60	16	7
105 (M53)	Single	Auto	115	1	9.7	1/3	60	30	14
110 (M55)	Single	Auto	115	1	9.7	1/3	60	32	15
115 (M57)	Single	Auto	115	1	9.7	1/3	60	36	16
120 (M59)	Single	Auto	115	1	9.7	1/3	60	37	17
132 (M72)	Single	Auto	115	1	3.1	1/3	60	19	9
131 (M98)	Single	Auto	115	1	9.4	1/2	60	43	20

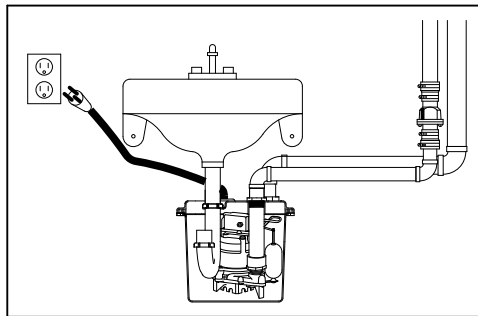
### CAUTION

All installation of controls, protection devices and wiring should be done by a qualified licensed electrician. All electrical and safety codes should be followed including the most recent National Electrical Code (NEC) and the Occupational Safety and Health Act (OSHA).

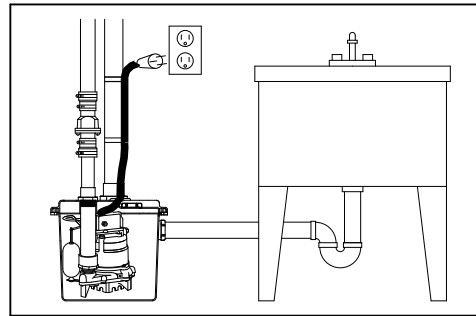
### INTERNAL TRAP \*\*

### STANDARD INSTALL

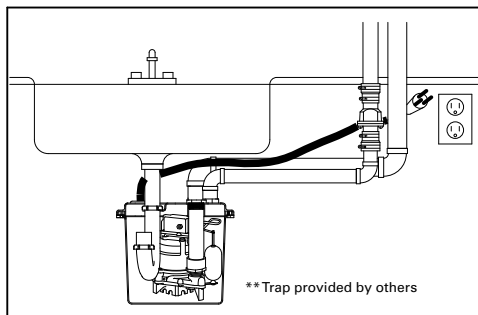
Lavatory Sink



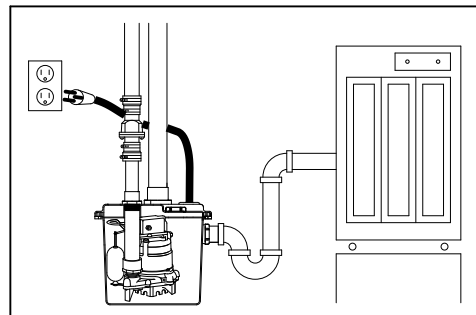
Laundry Tray Pump



Wet Bar With Sink



Dehumidifier or Air Conditioner



SK2011

Applications include: laundry tray pump, wet bar sink, lavatory, air conditioning condensate or dehumidifier water removal. It can also be used in conjunction with dishwashers and garbage disposal applications.